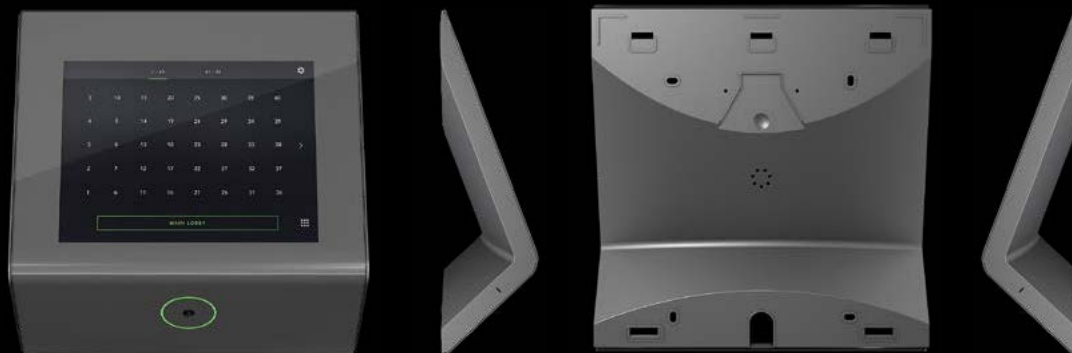


Factsheet PORT 1 wide



Technical Details

Physical Dimensions (W×H×D)	286×293×82 mm (11.26×11.54×3.23 inch)
Mounting Height	964 mm (37.95 inch) to lower edge
Screen	10.4" Display, 1024×768 pixel, touch panel
Energy Consumption	max. 13 W per PORT
Standby Mode	yes, due to proximity sensor
Supply	24 - 48 VDC
Card Reader	supports all common RFID tags (all tags have to be pre-qualified by our test service center before use!)
Range of Application	temperature: 0 to 45°C (14 to 113 F) humidity: 0 to 90% non-condensing for indoor use only
Optional	Handicapped Button

PORT 1 wide



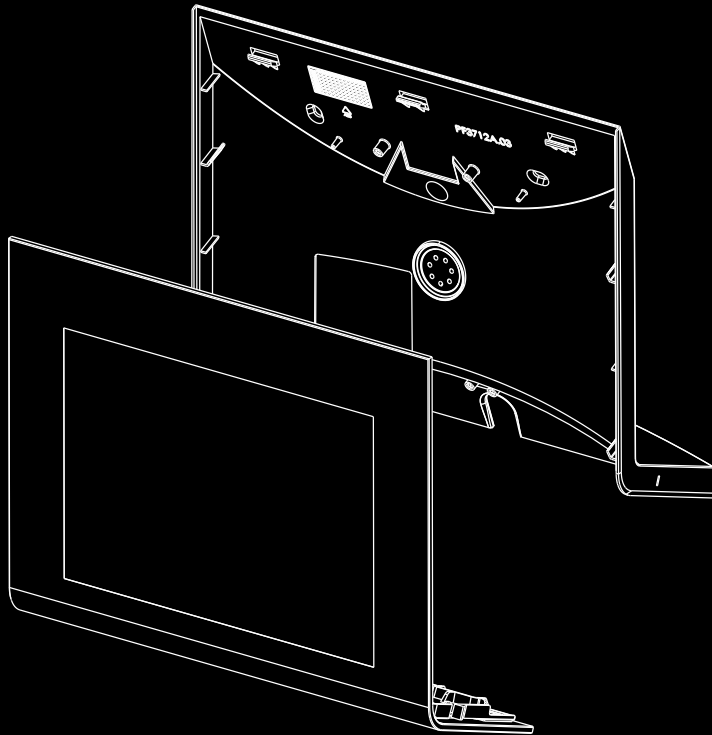
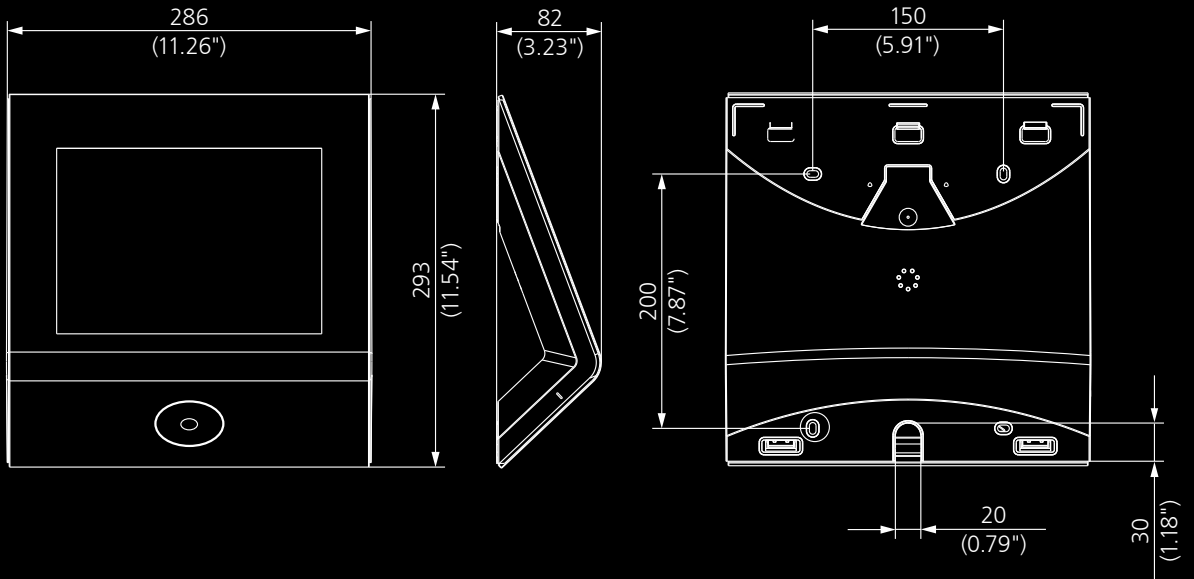
Space Gray



White Aluminum



Black Titanium



For further information including location of the Schindler office nearest you, please visit:
www.schindler.com

Schindler Elevator Ltd.
 Zugerstrasse 13
 CH-6030 Ebikon
 Switzerland
 Phone +41 (0)41 445 31 31
 Fax +41 (0)41 445 52 97

porttechnology@schindler.com
www.theporttechnology.com

Copyright © 2018 INVENTIO AG
 Note: all data is for guidance only & is subject to changes without notice. 59905312, Version 1



All dimensions are in mm (inches)